

# F-330BAH-C

## SELF-CONTAINED CUBELET WITH BUILT-IN STORAGE

Item # \_\_\_\_\_

Project: \_\_\_\_\_

Qty: \_\_\_\_\_

\*AutoCad available on KCL

F-330BAH-C

4/08

Item # 13218


### CUBELET DIMENSIONS W x D x H

**F-330BAH-C**  
24 x 26 x 39\*  
\*with 6" legs

### F-330BAH-C

Air-Cooled  
Shown



- Up to 320 lbs. of ice production per 24 hours
- Up to 80 lbs. built-in storage
- Corrosion resistant stainless steel
- Automatic flush system designed for longer life and dependability of ice machine
- Evaporator assembly protected from peak loads
- Convenient drop down door
- Front access for easier maintenance
- Removable air filter
- Front in, front out airflow - allows for easier fit into tight spaces with no clearance needed on sides and rear
- R-404 Refrigerant
- Protected by *HoshiGuard* Antimicrobial Agent 



### Warranty

Valid in United States, Canada, Puerto Rico, & U.S. Territories. Contact factory for warranty in other countries.

**Two Year** - Parts & Labor on entire unit.

**Five Year** - Parts on: Compressor, air-cooled condenser coil.



# F-330BAH-C

## SELF-CONTAINED CUBELET WITH BUILT-IN STORAGE BIN

### DIMENSIONS

W x D x H

**F-330BAH-C**  
24 x 26 x 39"  
\*with 6" legs

• Air-cooled

### AIR-COOLED

Water Temp° F.	50°	70°	90°	
Air Temp° F.	70°	320	300	290
	80°	275	265	250
	90°	240	230	220

### UTILITY CONSUMPTION

Model Number	KWH per 100 LBS.		Potable Water Gal. per 100 lbs.
	90/70	70/50	
F-330BAH-C	6.7	4.5	12.0

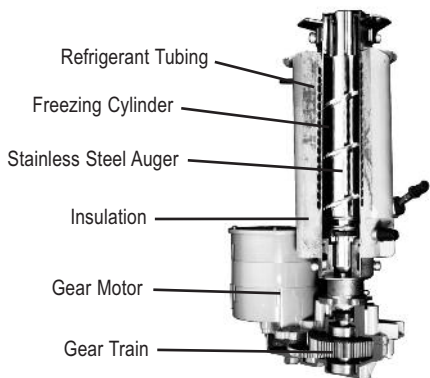
### SPECIFICATIONS

Model Number	Condenser	Amperage	Min. Circuit Ampacity	Shipping Weight
F-330BAH-C	Air-Cooled	7.4	N/A	178 lbs.

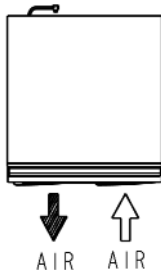
### STORAGE BINS

Model Number	Application Capacity
F-330BAH-C	Built-in 80 lb. capacity

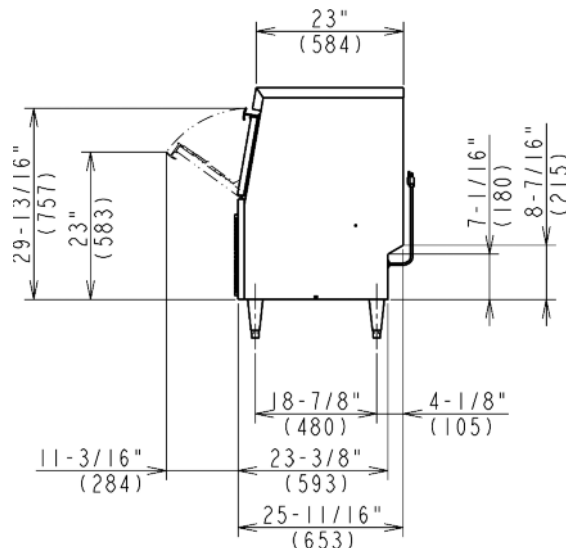
- Circuit breaker or fuse protects gear motor from overload.
- Gear motor runs one minute after termination of ice making to clear all ice from evaporator.



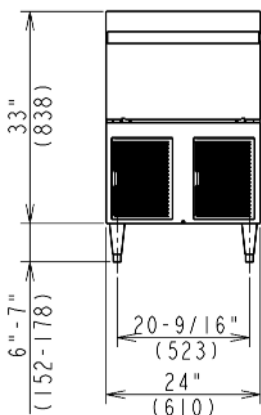
**EVAPORATOR**



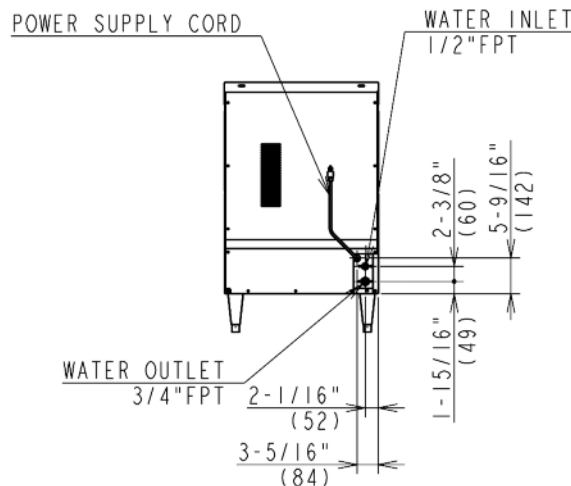
TOP VIEW



SIDE VIEW



FRONT VIEW



REAR VIEW

### ELECTRICAL & PLUMBING/F-330BAH-C

- 115V/60/1
- 1/2" OD copper or equivalent independent potable water supply
- 3/4" FPT independent drain connection

### OPERATING LIMITS

- Ambient Temp Range 45 - 100°F
- Water Temp Range 45 - 90°F
- Water Pressure 10 - 113psig
- Voltage Range 104 - 127V

### SERVICE

- Panels easily removed and all components accessible for service.
- Removable/cleanable air filters



© HOSHIZAKI AMERICA, INC.

618 Hwy. 74 S., Peachtree City, GA 30269

TEL 1-800-438-6087

FAX 1-800-345-1325

www.hoshizaki.com

Printed in U.S.A.

