

# KMD-850M\_H

## MODULAR CRESCENT CUBER

Item # \_\_\_\_\_

Project: \_\_\_\_\_

Qty: \_\_\_\_\_

\*AutoCad available on KCL

KMD-850M\_H

7/08

Item # 13230

### CUBER DIMENSIONS

W x D x H

**KMD-850M\_H**  
30 x 24<sup>5/8</sup> x 28



### KMD-850MAH




Air-Cooled  
Shown on an optional  
Lancer 30" Dispenser

### KMD-850MWH

Water-Cooled

### KMD-850MRH

Remote Air-Cooled

- Up to 836 lbs. of ice production per 24 hours
- Ice on beverage design
- Durable stainless steel exterior
- Individual crescent cube
- Protected by *HoshiGuard* Antimicrobial Agent 
- CycleSaver® Design 
- EverCheck® alert system 
- Stainless steel evaporator
- Removable air filters (Air-cooled model only)
- R-404A Refrigerant
- Complies with California Energy Commission guidelines (CEC)

\* The KMD-850MRH is ENERGY STAR certified.



### Warranty

Valid in United States, Canada, Puerto Rico, & U.S. Territories. Contact factory for warranty in other countries.

**Three Year** - Parts & Labor on entire machine.

**Five Year** - Parts & Labor on: Evaporator.

**Five Year** - Parts on: Compressor, air-cooled condenser coil.



# KMD-850M\_H MODULAR CRESCENT CUBER

**DIMENSIONS**  
W x D x H  
**KMD-850M\_H**  
30 x 24<sup>5/8</sup> x 28

- Air-cooled
- Water-cooled
- Remote Air-cooled

## AIR-COOLED

Water Temp ° F.	50°	70°	90°
Air Temp ° F.			
70°	786	743	685
80°	753	686	629
90°	743	<b>639</b>	580

## WATER-COOLED

Water Temp ° F.	50°	70°	90°
Air Temp ° F.			
70°	836	830	786
80°	831	822	759
90°	830	<b>815</b>	759

## REMOTE AIR-COOLED

Water Temp ° F.	50°	70°	90°
Air Temp ° F.			
70°	833	793	738
80°	803	741	686
90°	793	<b>698</b>	641

## UTILITY CONSUMPTION

Model Number	Ice Production Per Cycle		KWH per 100 LBS. 90/70	Potable Water Gal. per 100 lbs. 90/70	Condenser Water Gal. per 100 lbs. 90/70
	Lbs.	Cubes			
KMD-850MAH	11.8	624	5.9	19.5	N/A
KMD-850MWH	12.1	624	4.1	20.2	127
KMD-850MRH	11.6	624	5.4	19.5	N/A

## SPECIFICATIONS

Model Number	Condenser	Amperage	Min. Circuit Ampacity	Shipping Weight
KMD-850MAH	Air-Cooled	9.8	20	249 lbs.
KMD-850MWH	Water-Cooled	8.3	20	249 lbs.
KMD-850MRH	Remote Air-Cooled	9.8	20	235 lbs.

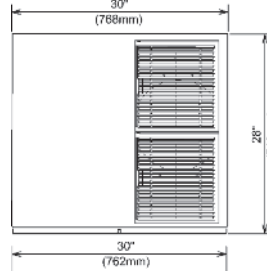
## ELECTRICAL & PLUMBING/KMD-850M\_H

- 208-230V/60/1 (3 wire with dedicated neutral for 115V)
- 20 amp Max Fuse/HACR Breaker Size
- 3/8" OD copper or equivalent independent potable water supply
- 3/4" FPT independent drain connection

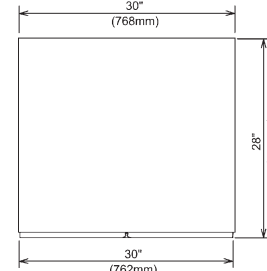


© HOSHIZAKI AMERICA, INC.

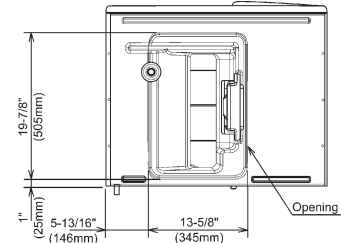
618 Hwy. 74 S., Peachtree City, GA 30269



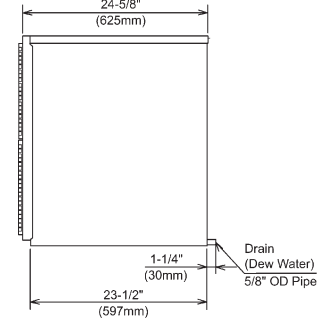
KMD-850MAH  
FRONT VIEW



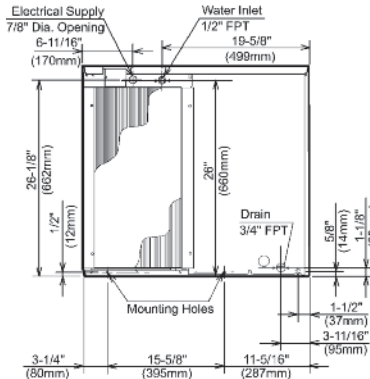
KMD-850MRH & MWH  
FRONT VIEW



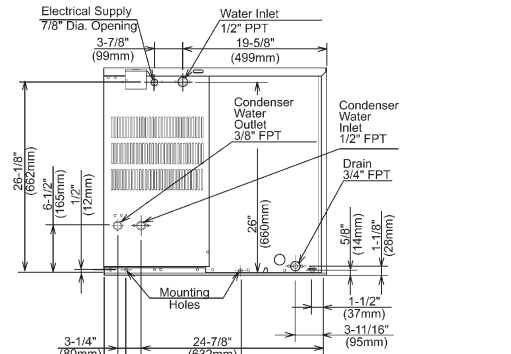
ICE DROP ZONE



SIDE VIEW

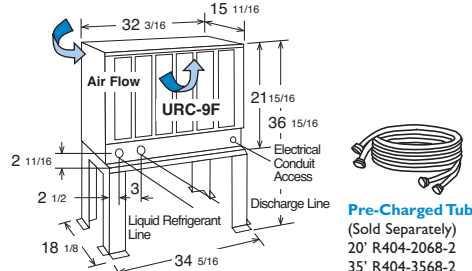


AIR-COOLED UNIT



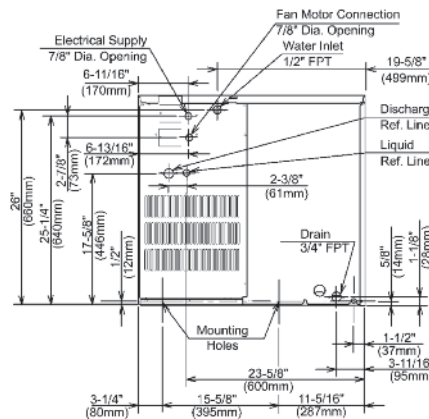
WATER-COOLED UNIT

URC-9F Remote Condenser (Sold Separately)  
For Use with KMD-850MRH



Pre-Charged Tubing Kits  
(Sold Separately)  
20' R404-2068-2  
35' R404-3568-2

Voltage supply for the URC Remote Condenser is supplied from the Ice Maker.  
No additional circuit is required.



REMOTE AIR-COOLED UNIT

## OPERATING LIMITS

- Ambient Temp Range 45 - 100°F
- Water Temp Range 45 - 90°F
- Water Pressure 10 - 113psig
- Voltage Range 187 - 253V

## CONDENSING UNIT

- Voltage Range 104 - 127V
- Ambient Temp Range -20 - 122°F

## SERVICE

- Panels easily removed and all components accessible for service.
- Removable/cleanable air filters. (Air-Cooled model only)

TEL 1-800-438-6087

FAX 1-800-345-1325

www.hoshizaki.com

Printed in U.S.A.

