

SCOTSMAN

UNDERCOUNTER COMPACT CUBER WITH STORAGE

CSW 45

VOLUME PRODUCTION • 24 HOUR



Based on Air/Water Temperatures	Air-Cooled	
	70°/50° lbs./kg.	90°/70° lbs./kg.
CSW45A-1	44/20	40/18
CSW45PA-1	44/20	40/18

DEPENDABLE PERFORMANCE IN ANY CONDITION

- 15" cabinet width.
- Produces up to 44 lbs. of ice in 24 hours.
- Stores up to 25 lbs. of ice.
- Produces clear, long-lasting cube-shaped ice measuring 3/4" x 3/4" x 3/8".
- Gravity drain and factory installed drain pump models available.
- 37% quieter than previous model.
- Ideal for any under counter or bar application.

WARRANTY See your dealer for complete warranty details.

- 1 year parts and labor on all components.



Designed with a unique inside door flap to prevent spillage and maximize storage.

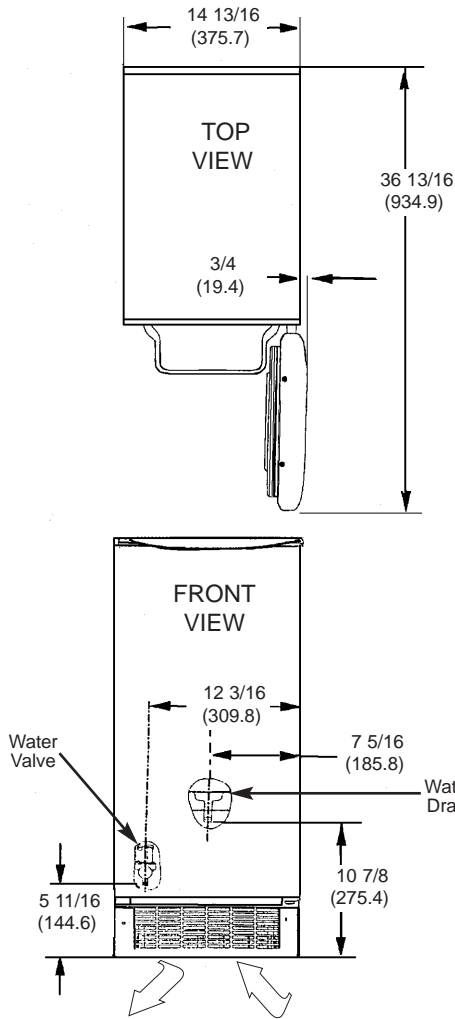
CERTIFIED
ISO
9001:2000



 **Scotsman**[®]

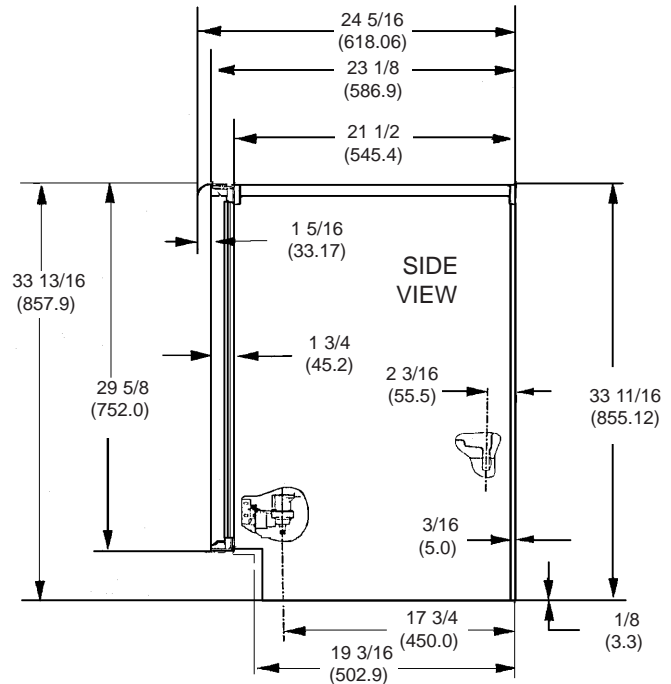
Ice Machine Specifications

INCHES
CENTIMETERS



MINIMUM CABINET OPENING:

WIDTH	15.0	(381.0)	- Clearance between cabinets
HEIGHT	34.0	(863.6)	- Under counter height
DEPTH	24.0	(609.6)	



All models: Dimensions W x D x H Unit: 14 13/16" x 21 7/8" x 33 13/16" Shipping Carton: 17 3/8" x 28 1/2" x 36 3/8"

Model Number	Condenser Unit	Bin Cap. lbs./kg.	Basic Electrical Volts/Hz/Phase	Max. Fuse Size or HACR Circuit Breaker	Comp. HP	Circuit Wires	Min. Circuit Ampacity	Shipping Weight lbs./kg.	Power Consumption KWH/100 lbs. 90°F/70°F	Water Usage Gallons/100 lbs.	
										Potable 90°F/70°F	Condenser 90°F/70°F
CSW45A-1D	AIR	25/11	115/60/1	15	1/5	2	Cord Cntd.	101/46	16.7	48	-
CSW45PA-1D	AIR	25/11	115/60/1	15	1/5	2	Cord Cntd.	107/49	16.7	48	-

Finish: White, high gloss baked enamel steel.

CSW45PA-1D comes with a pump drain instead of a gravity drain. Maximum vertical pumping height 10' Refrigerant - R134A.

OPTIONS:

KCSWFILL: Filler kit for installing icemaker in 18" opening

KCSWTRIM: Trim kit for putting wood cabinet front on icemaker door

Scotsman's ice machines are not designed for outdoor installations. Scotsman remote condensers are designed for outdoor installations.

Machine requires voltage indicated on rating name plate. Failures caused by improper voltage are not considered factory defects. Extended periods of operation at temperatures exceeding limitations constitutes misuse under the terms of Scotsman Manufacturer's Limited Warranty, resulting in a loss of warranty coverage. Specifications and design are subject to change without notice.

Consult Your Local SCOTSMAN Representative At:

IMPORTANT OPERATING REQUIREMENTS:

	Minimum	Maximum
Air Temperatures	50°F (10°C)	100°F (37.7°C)
Water Temperatures	40°F (4.4°C)	100°F (37.7°C)
Water Pressures	20 PSIG	120 PSIG
Electrical Voltage	-5%	+10%

YOU'LL VALUE THE DIFFERENCE™

775 Corporate Woods Parkway • Vernon Hills, IL 60061 • 1-800-SCOTSMAN • Fax: (847) 913-9844
Visit our website at: www.scotsman-ice.com • E-mail: customer.service@scotsman-ice.com

 Scotsman®