

KMS-830MLH

SERENITY SERIES

CUBER ICE MACHINE

Item # _____

Project: _____

Qty: _____

*AutoCad available on KCL

KMS-830MLH

7/11

Item # 13281

CUBER DIMENSIONS

W x D x H

KMS-830MLH
30 x 16^{1/2} x 29

CONDENSING UNIT DIMENSIONS




W x D x H

Installation Dimension*
SRK-8H / SRK-8H3
35^{11/16} x 25^{3/8} x 37
*Dimensions include legs

Actual Dimension
SRK-8H / SRK-8H3
33^{5/8} x 22^{1/2} x 22

KMS-830MLH
Remote Air-Cooled
Shown on an optional
Lancer 30" Dispenser



- Up to 820 lbs. of ice production per 24 hours
- Ice on beverage design
- Less heat in the kitchen
- Minimized noise
- Durable stainless steel exterior
- Individual crescent cube
- Protected by *H-GUARD Plus* Antimicrobial Agent 
- CycleSaver® Design 
- EverCheck® alert system 
- Stainless steel evaporator
- CFC / HFC Free foam
- R-404A Refrigerant
- *Not recommended for side-by-side application*

* The KMS-830MLH is ENERGY STAR qualified.

Warranty

Valid in United States, Canada, Puerto Rico, & U.S. Territories. Contact factory for warranty in other countries.

Three Year - Parts & Labor on entire machine.

Five Year - Parts & Labor on: Evaporator.

Five Year - Parts on: Compressor, air-cooled condenser coil.



ISO 9001-15:214:2008

© HOSHIZAKI AMERICA, INC.

618 Hwy. 74 S., Peachtree City, GA 30269

TEL 1-800-438-6087

FAX 1-800-345-1325

www.hoshizaki.com



Hoshizaki

KMS-830MLH SERENITY SERIES

DIMENSIONS
W x D x H
KMS-830MLH
30 x 16^{1/2} x 29

Installation Dimension*
SRK-8H / SRK-8H3
35^{1/16} x 25^{3/8} x 37
*Dimensions include legs

Actual Dimension
SRK-8H / SRK-8H3
33^{5/8} x 22^{1/2} x 22

REMOTE AIR-COOLED / SRK-8H

Water Temp° F.	50°	70°	90°
Air Temp° F.	70°	820	785
	80°	793	739
	90°	785	700
			652

REMOTE AIR-COOLED / SRK-8H3

Water Temp° F.	50°	70°	90°
Air Temp° F.	70°	791	761
	80°	768	722
	90°	761	690
			635

UTILITY CONSUMPTION

Model Number	Ice Production Per Cycle		KWH per 100 LBS. 90/70	Potable Water Gal. per 100 lbs. 90/70	Condenser Water Gal. per 100 lbs. 90/70
	Lbs.	Cubes			
KMS-830MLH with SRK-8H	13.6	680	5.50	16.0	N/A
KMS-830MLH with SRK-8H3	12.5	680	5.40	16.0	N/A

SPECIFICATIONS

Model Number	Condenser	Amperage	Min. Circuit Ampacity	Shipping Weight
KMS-830MLH with SRK-8H	Remote Air-Cooled	9.1	20	137 lbs. 206 lbs.
KMS-830MLH with SRK-8H3	Remote Air-Cooled	7.5	20	137 lbs. 206 lbs.

ELECTRICAL & PLUMBING / KMS-830MLH

- 115V/60/1 - Voltage supply for the KMS Ice Maker is supplied from the SRK Remote Condenser
- 1/2" FPT copper or equivalent independent potable water supply
- 3/4" FPT independent drain connection

CONDENSER UNIT / SRK-8H

- 208-230/60/1 (3 wire with neutral for 115V)
- 20 amp Max Fuse/HACR Breaker Size

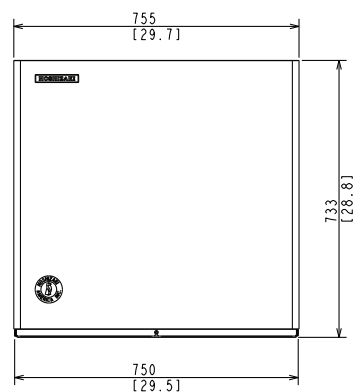
CONDENSER UNIT / SRK-8H3

- 208-230/60/3
- 20 amp Max Fuse/HACR Breaker Size

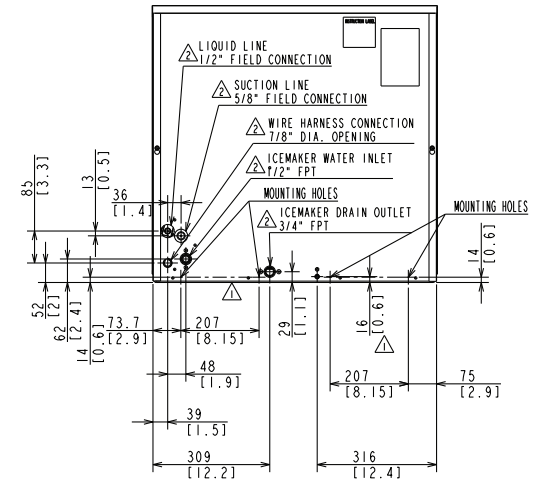


© HOSHIZAKI AMERICA, INC.

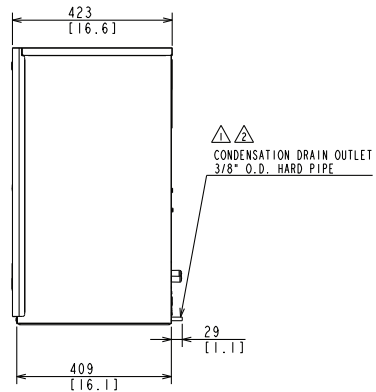
618 Hwy. 74 S., Peachtree City, GA 30269



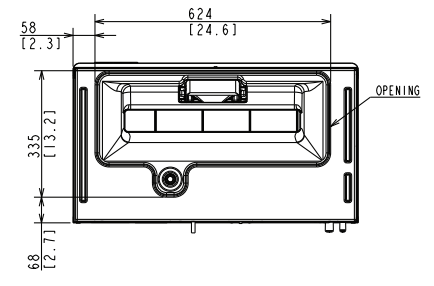
FRONT VIEW



BACK VIEW

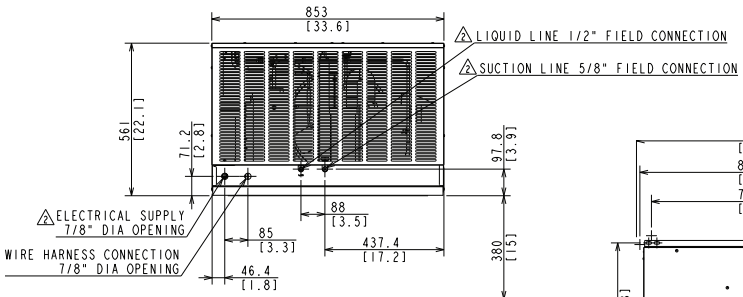


SIDE VIEW



BOTTOM VIEW

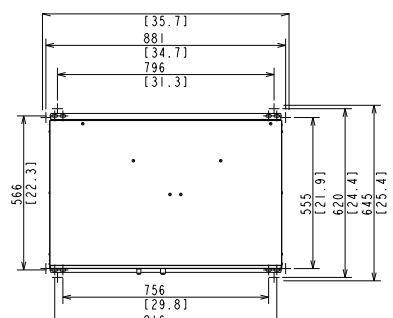
SRK-8H / SRK-8H3 Remote Condensing Unit (Sold Separately)
For Use with KMS-830MLH



FRONT VIEW



Tubing Kits - REQUIRES FIELD BRAZING
(Sold Separately)
• 25' HS-0250
• 35' HS-0251
• 55' HS-0252
Voltage supply for the KMS Ice Maker is supplied from the SRK Remote Condenser.



TOP VIEW

OPERATING LIMITS

- Ambient Temp Range 45 - 100°F
- Water Temp Range 45 - 90°F
- Water Pressure 10 - 113psig
- Voltage Range 187 - 253V

SERVICE

- Panels easily removed and all components accessible for service.

CONDENSING UNIT

- Voltage Range 187 - 253V
- Ambient Temp Range -20 - 122° F

