

MDT2C12 – TouchFree[®] Ice Machine / Dispenser

Cubelet Ice Machine / Dispenser



Features

Makes and dispenses cubelet ice, which is a chewable, slow-melting ice form that allows for more reliable and easier dispensing.

Sleek, high-tech styled design with durable plastic front and top panels.

Quiet operation, ideal for hospital floors, cafeterias and offices.

Plastic chute easily removed for sterilization.

TouchFree[®] actuation provides convenient one-hand operations and eliminates the risk of cross contamination.

Flexible utility location.

Bigger sink allowing more clearance for larger containers.

24 Hour Volume Production

Air Cooled		
70°F/21°C	Air	90°F/32°C
50°F/10°C	Water	70°F/21°C
lb/kg		lb/kg
273/124		198/90



Lighted Key-Pad for Dispensing Selection



Select either ice-only, ice and water, water only or dispensing for pitchers with simple touch of a button.

Cubelet Ice



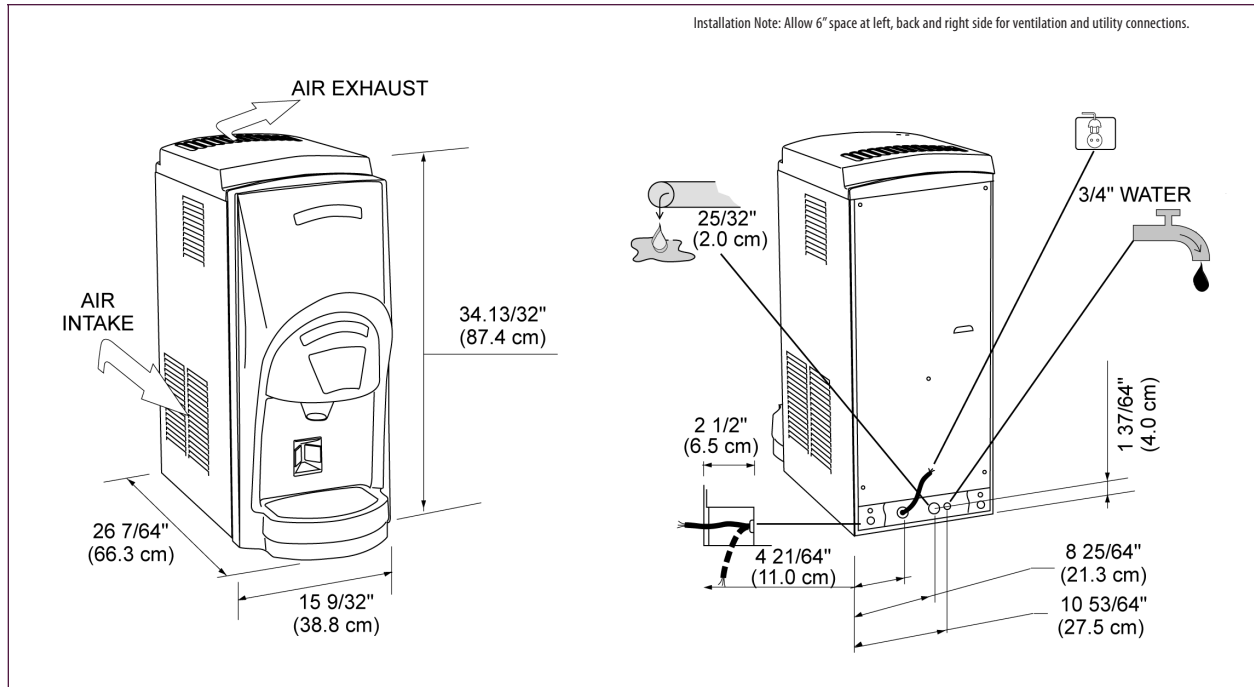
1⁹/₃₂" x 5¹/₁₆" x 5¹/₈"
(1.5 x 0.8 x 1.9 cm)

Chewable, slow-melting ice that allows for more reliable dispensing.

Warranty

- 2 years parts and labor on all components.
- 5 years parts on compressor.

Warranty valid in North, South & Central America.
Contact factory for warranty in other regions.



Specifications

Model Number	Condenser Unit	Storage Capacity lb/kg	Basic Electrical Volts/Hz/Phase	Max. Fuse Size or HACR Circuit Breaker (amps)	Circuit Wires	Total Load Amps	Energy Consumption kWh/100 lb (45.4 kg) 90°F(32°C)/70°F(21°C)	Water Usage Gallons/100 lb (liters/45.4 kg)	
								Potable 90°F(32°C)/70°F(21°C)	Condenser 90°F(32°C)/70°F(21°C)
MDT2C12A-1	Air	12/5	115/60/1	15	2	6.0	7.0	12/45.5	-

All units with stainless steel finish and plastic front and top panels. Not designed for outdoor installations.

Refrigerant: R-134a

All Models

Dimensions (W x D x H):

Unit:

15.28" x 26.11" x 34.41"
(38.8 x 66.3 x 87.4 cm)

Shipping Carton:

18" x 28" x 36"
(45.7 x 71.1 x 91.4 cm)

Shipping Weight:

140 lb / 64 kg

Operating Requirements

	Minimum	Maximum
Air Temperatures	50°F (10°C)	100°F (38°C)
Water Temperatures	40°F (4.4°C)	100°F (38°C)
Remote Cond. Temps	-20°F (-29°C)	120°F (49°C)
Water Pressures	20 PSIG (1.4 bar)	80 PSIG (5.5 bar)
Electrical Voltage	-5%	+10%

* Scotsman recommends all ice machines have water filtration. See Scotsman Sanitation Matrix for details.

Specifications and design are subject to change without notice.

Scotsman Ice Systems • 775 Corporate Woods Parkway • Vernon Hills, IL 60061

1-800-SCOTSMAN

Fax: 847-913-9844

E-mail: customer.relations@scotsman-ice.com

www.scotsman-ice.com

© 2012 Scotsman Ice Systems.

SIS-SS-DIS-MDT2C12 06-12