

In 1938, Vogt Ice revolutionized the ice making industry by introducing the world's first automatic sized icemaker. Today, Vogt Tube-Ice machines enjoy a well-earned reputation as the most energy efficient, dependable ice machines on the market.

Heavy-duty industrial construction, automatic operation, and the best warranty in the business make the Vogt ice machines the only "clear" choice for your ice making needs.

Three settings are available:

- Cylinder (Tube-Ice) only
 - 7/8" Ice Diameter X 3/4" long
 - 1 1/8" Ice Diameter X 1" long
 - 1 3/8" Ice Diameter X 1" long
- Crushed Ice only
 - 3/16" to 1/4" thick on all models (approx.)
- Dual Ice Option
 - Both Cylinder and crushed ice for split bins

P118 Features:

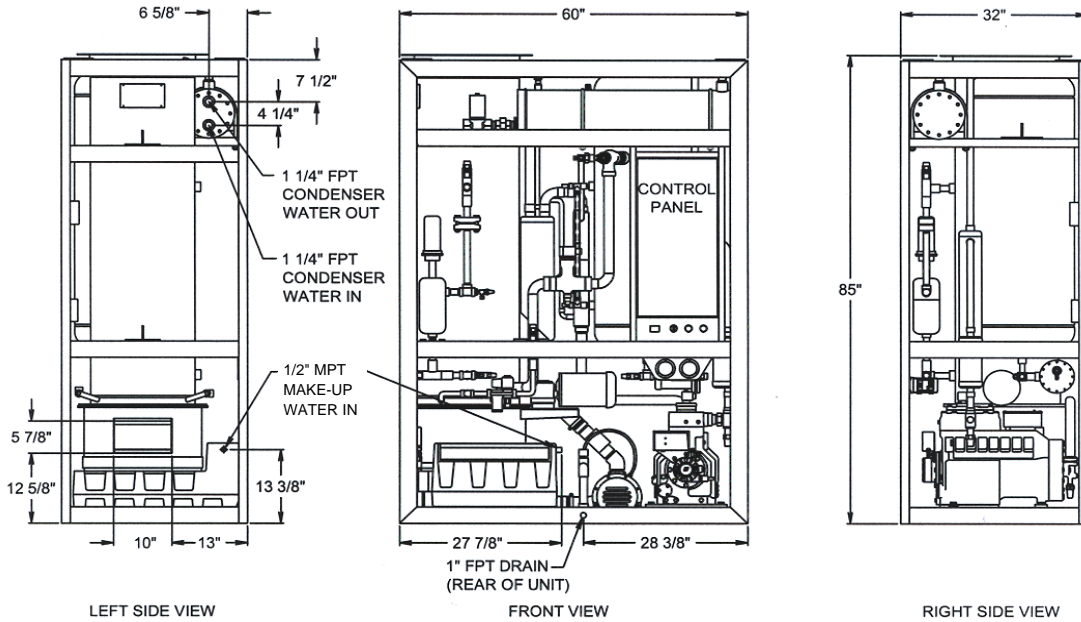
- 25 Year Life expectancy
- 5 Year compressor warranty*
- 25 Year evaporator warranty
- Highly Efficient Copeland Discus Compressor
- Manufactured in accordance with the A.S.M.E. code
- Environmentally friendly Refrigerant R404A
- Controls U.L. Approved



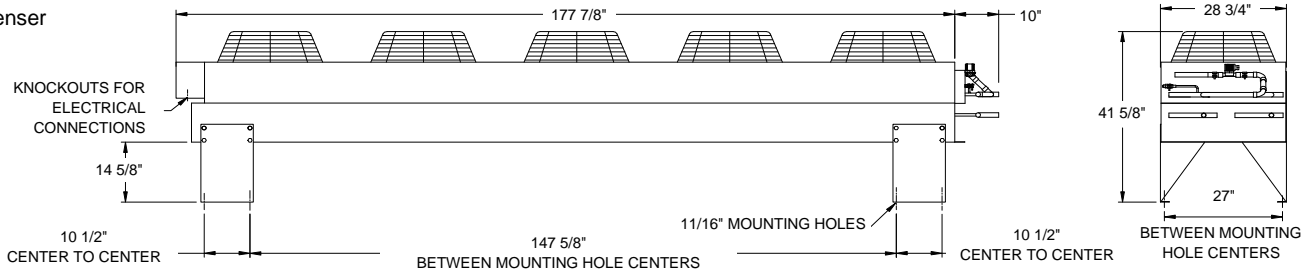
VOGT TUBE-ICE[®] MACHINES

Model
P118

Ice Machine



Condenser



Ice Machine Electrical Information						
Voltage	Air Cooled			Water Cooled		
	F.L.A.	Min. Ampacity	Max. Fuse Size (Amps)	F.L.A.	Min. Ampacity	Max. Fuse Size (Amps)
208/230V, 3ph, 60hz	76.9	91.8	155	66.9	81.8	145
460V, 3ph, 60hz	37.2	44.4	75	32.7	39.9	70
200V, 3ph, 50hz	83.9	100.4	170	73.1	89.6	160
400V, 3ph, 50hz	42.2	50.4	85	37.2	45.4	80

Motor Information			
Water Pump	Cutter Motor	Condenser Fan Motor(s)	Compressor
H.P.			
1 1/2	1/2	(qty 5) 1/2	10
			15

Model	Machine Capacity						Energy Usage KWH/ 100 lbs	Water Usage					
	Make-Up Temperature							Ice Making				Condenser	
	50°F (10°C)		70°F (21°C)		90°F (32°C)			Gal/ 100lbs	Liters/ 100lbs	GPM	LPM	GPM	LPM
P118F - 1"	Lbs	Kg	Lbs	Kg	Lbs	Kg	2.92	14.5	54.9	1	3.79	15	56.8
P118F - 1 1/4"	11,200	5080	10,000	4536	8,400	3810	3.15			0.94	3.56		
P118F - 1 1/2"	10,700	4853	9,500	4309	7,900	3583	3.23			0.93	3.52		

NOTE: ENERGY USAGE AND WATER REQUIREMENTS BASED ON MAKEUP WATER TEMPERATURE OF 70 °F AMBIENT (AIR) TEMPERATURE OF 90 °F AND 60HZ POWER.

CAPACITY RATING IS AVERAGE FOR THE MODEL. INDIVIDUAL MACHINES MAY VARY +/- 5% .

MAKE-UP WATER USAGE INCLUDES 20 % BLOWDOWN. KWH VALUES BASED ON WATER COOLED UNITS.

Operating Conditions:

The ice machine shall not be subjected to an atmospheric temperature lower than 50 °F nor higher than 90 °F, without effect on performance. Water for ice making purposes shall be non-corrosive. The water shall be at a constant pressure of not less than 30 psig at the ice machine location. The condition of the water to make satisfactory ice shall be the responsibility of the purchaser.

Air-Cooled Condensers:

The air-cooled condensers are available as remote units only, with 50/50 split coil and low ambient controls. Vogt requires that the air-cooled condensers be purchased from the Vogt factory for warranty consideration and in order to assure proper sizing and operation. The ice capacity with an air-cooled unit will be the same as a water-cooled unit as long as the ambient temperature does not exceed 90 °F. For each 5 °F increase in ambient temperature above 90 °F, the ice capacity will be decreased by approximately 3%.

Machine Weights			
Ice Machine		Condenser	
Lbs	Kg	Lbs	Kg
Shipping Weight	3300	1497	700
Operating Weight	2975	1349	667

Line Size Connections			
Ice Making Water		1/2" MPT	
Drain Connections		1" FPT	
Condenser Water Lines		In	1 1/4" FPT
		Out	
Refrigerant Line Sizes from Ice Machine to Condenser		Return	1 1/8" IDS
		Out	1 3/8" IDS

Revision 10/2009

Vogt
TubelIce | Turbo
Engineered to Endure

Vogt Ice, LLC
1000 West Ormsby Ave.,
Louisville KY 40210
Phone: 502-635-3000
E-mail: info@vogtice.com

