

Vogt Tube Ice machines P18XT

In 1938, Vogt Ice revolutionized the ice making industry by introducing the world's first automatic sized icemaker. Today, Vogt Tube-Ice machines enjoy a well-earned reputation as the most energy efficient, dependable ice machines on the market.

Heavy-duty industrial construction, automatic operation, and the best warranty in the business make the Vogt ice machines the only "clear" choice for your ice making needs.

Three settings are available:

- Cylinder (Tube-Ice) only
 - 7/8" Ice Diameter X 3/4" long
 - 1 1/8" Ice Diameter X 1" long
 - 1 3/8" Ice Diameter X 1" long
- Crushed Ice Only
 - 3/16" to 1/4" thick (not available on 1" tube model)

P18XT Features:

- 25 Year Life expectancy
- 5 Year compressor warranty*
- 25 Year evaporator warranty
- Highly Efficient Copeland Discus Compressor
- Manufactured in accordance with the A.S.M.E. code
- Environmentally friendly Refrigerant R404A
- Controls U.L. Approved

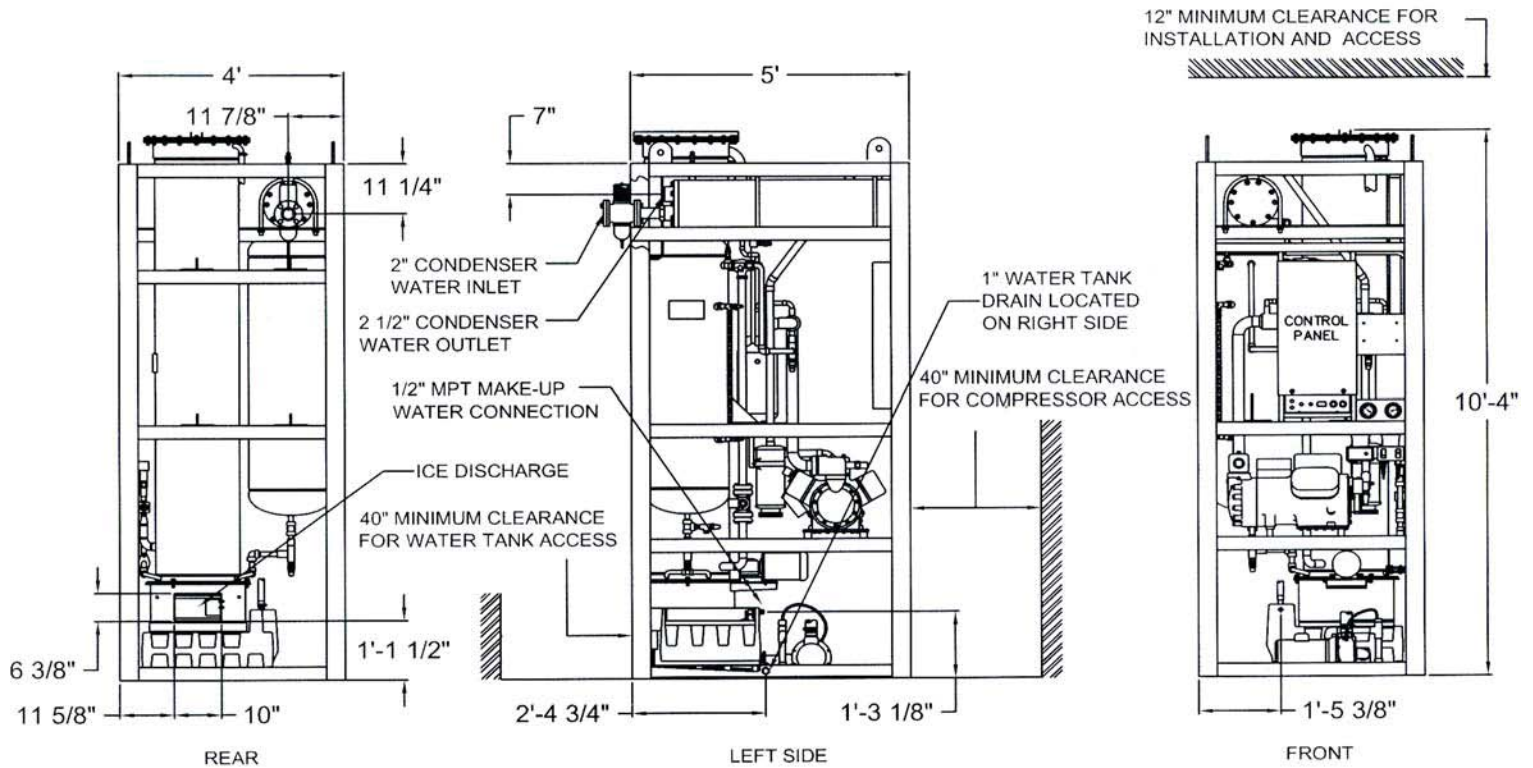


*U.S. Domestic installations only.

www.vogtice.com

VOGT TUBE-ICE[®] MACHINES

Model
P18XT



	Ice Machine Electrical Information					
	Air Cooled			Water Cooled		
	F.L.A.	Min. Ampacity	Max. Fuse Size (Amps)	F.L.A.	Min. Ampacity	Max. Fuse Size (Amps)
Voltage						
208/230V, 3p, 60hz	129.3	141.8	240	101.3	124.2	220
460V, 3p, 60hz	71.0	77.8	14	57.0	69.3	125
200V, 3p, 50hz	161.0	193.5	320	133.0	165.4	295
400V, 3p, 50hz	82.0	96.9	160	68.0	82.9	150

Motor Information			
Water Pump	Cutter Motor	Condenser Fan Motor(s)	Compressor
H.P.			
1 1/2	1/2	(qty 4) 1 1/2	21
			24

Model	Machine Capacity						Energy Usage KWH/ 100 lbs	Water Usage					
	Make-Up Temperature							Ice Making				Condenser	
	50°F (10°C)		70°F (21°C)		90°F (32°C)			Gal/ 100lbs	Liters/ 100lbs	GPM	LPM	GPM	LPM
P18FXT - 1"	Lbs	Kg	Lbs	Kg	Lbs	Kg	2.51	14.5	54.9	2.35	8.89	90	340
P18FXT - 1 1/4"	19,460	8827	18,100	8210	15,780	7158	2.12			8.02			
P18FXT - 1 1/2"	18,300	8300	15,780	7158	14,500	6577	2.04			7.72			

NOTE: ENERGY USAGE AND WATER REQUIREMENTS BASED ON MAKEUP WATER TEMPERATURE OF 70 °F AMBIENT (AIR) TEMPERATURE OF 90 °F AND 60HZ POWER.

CAPACITY RATING IS AVERAGE FOR THE MODEL. INDIVIDUAL MACHINES MAY VARY +/- 5% .

MAKE-UP WATER USAGE INCLUDES 20 % BLOWDOWN. KWH VALUES BASED ON WATER COOLED UNITS.

Operating Conditions:

The ice machine shall not be subjected to an atmospheric temperature lower than 50 °F nor higher than 90 °F, without effect on performance. Water for ice making purposes shall be non-corrosive. The water shall be at a constant pressure of not less than 30 psig at the ice machine location. The condition of the water to make satisfactory ice shall be the responsibility of the purchaser.

Air-Cooled Condensers:

The air-cooled condensers are available as remote units only, with 50/50 split coil and low ambient controls. Vogt requires that the air-cooled condensers be purchased from the Vogt factory for warranty consideration and in order to assure proper sizing and operation. The ice capacity with an air-cooled unit will be the same as a water-cooled unit as long as the ambient temperature does not exceed 90 °F. For each 5 °F increase in ambient temperature above 90 °F, the ice capacity will be decreased by approximately 3%.

Machine Weights				
Ice Machine		Condenser		
Lbs	Kg	Lbs	Kg	
Shipping Weight	4800	2177	1520	690
Operating Weight	4900	2223	1570	712

Line Size Connections		
Ice Making Water		1/2"
Drain Connections		1"
Condenser Water Lines	In	2"
	Out	2-1/2"
Refrigerant Line Sizes from Ice Machine to Condenser	Return	1-3/8"
	Out	1-3/8"

Vogt
Tubelce | Turbo
Engineered to Endure

Vogt Ice, LLC
1000 West Ormsby Ave.,
Louisville KY 40210
Phone: 502-635-3000
E-mail: info@vogtice.com

